



LIVE LUGGAGE
POWER ASSISTED

OPERATING INSTRUCTIONS FOR LATCHES

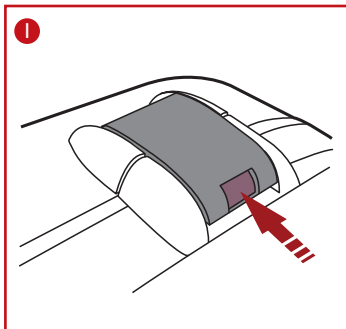
Latches

The case is equipped with a three point locking system. In conjunction with the main TSA approved lock (see separate instruction leaflet) there are 2 extra latches, located on the top and bottom of case, to give extra security and rigidity to your luggage.

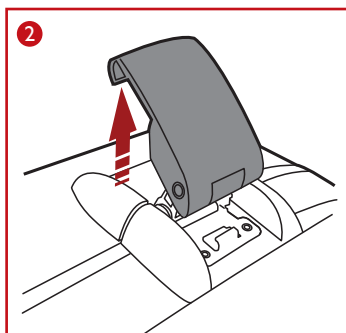
Please see below for instructions on how to operate these latches.



To open

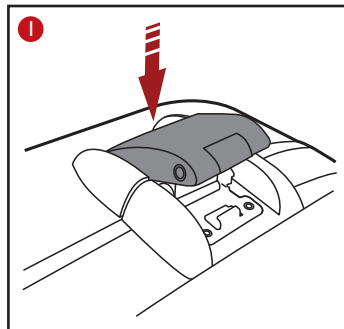


1. Push in button.

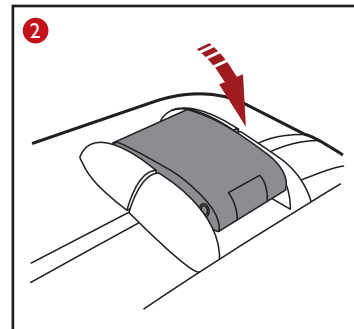


2. Latch will release and open.

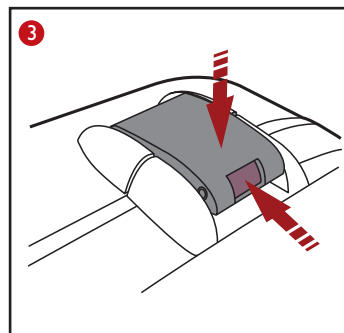
To close



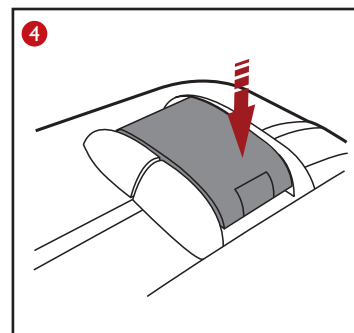
1. Push down front of latch and engage hook end into recess.



2. Whilst holding front down, press rear of latch down.



3. Press in button, push latch down firmly.



4. Then release button to secure latch.



because the world is not flat

www.liveluggage.com